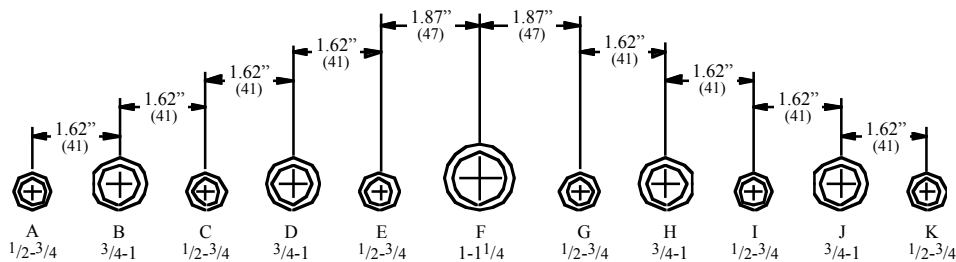


Type 1 Screw Cover Enclosures - Painted & Galvanized

Catalog Number

Type 1 Enclosures

Enclosure Catalog Number				Enclosure Size		Gauge	Knockout Pattern Each Side	Knockout Pattern Top & Bottom
Painted		Galvanized		Height x Width x Depth A x B x C				
KO	No KO	KO	No KO	in.	mm			
663 SC	663 SC NK	663 SCGV	663 SCGV NK	6.00x6.00x3.00	152x152x76	16	(CDE)	(CDE)
444 SC	444 SC NK	444 SCGV	444 SCGV NK	4.00x4.00x4.00	102x102x102	16	(CD)	(CD)
644 SC	644 SC NK	644 SCGV	644 SCGV NK	6.00x4.00x4.00	152x102x102	16	(CDE)	(CD)
664 SC	664 SC NK	664 SCGV	664 SCGV NK	6.00x6.00x4.00	152x152x102	16	(CDE)	(CDE)
864 SC	864 SC NK	864 SCGV	864 SCGV NK	8.00x6.00x4.00	203x152x102	16	(GHIJ)	(CDE)
884 SC	884 SC NK	884 SCGV	884 SCGV NK	8.00x8.00x4.00	203x203x102	16	(GHIJ)	(GHIJ)
1084 SC	1084 SC NK	1084 SCGV	1084 SCGV NK	10.00x8.00x4.00	254x203x102	16	(GHIJ)	(GHIJ)
10104 SC	10104 SC NK	10104 SCGV	10104 SCGV NK	10.00x10.00x4.00	254x254x102	16	(DEFGH)	(DEFGH)
1264 SC	1264 SC NK	1264 SCGV	1264 SCGV NK	12.00x6.00x4.00	305x152x102	16	(DEFGH)	(CDE)
1284 SC	1284 SC NK	1284 SCGV	1284 SCGV NK	12.00x8.00x4.00	305x203x102	16	(DEFGH)	(GHIJ)
12104 SC	12104 SC NK	12104 SCGV	12104 SCGV NK	12.00x10.00x4.00	305x254x102	16	(DEFGH)	(DEFGH)
12124 SC	12124 SC NK	12124 SCGV	12124 SCGV NK	12.00x12.00x4.00	305x305x102	16	(DEFGH)	(DEFGH)
15124 SC	15124 SC NK	15124 SCGV	15124 SCGV NK	15.00x12.00x4.00	381x305x102	16	(CDEFGHI)	(DEFGH)
15154 SC	15154 SC NK	15154 SCGV	15154 SCGV NK	15.00x15.00x4.00	381x381x102	16	(CDEFGHI)	(CDEFGHI)
16124 SC	16124 SC NK	16124 SCGV	16124 SCGV NK	16.00x12.00x4.00	406x305x102	16	(CDEFGHI)	(DEFGH)
16164 SC	16164 SC NK	16164 SCGV	16164 SCGV NK	16.00x16.00x4.00	406x406x102	16	(CDEFGHI)	(CDEFGHI)
18124 SC	18124 SC NK	18124 SCGV	18124 SCGV NK	18.00x12.00x4.00	457x305x102	16	(BCDEFGHIJ)	(DEFGH)
18154 SC	18154 SC NK	18154 SCGV	18154 SCGV NK	18.00x15.00x4.00	457x381x102	16	(BCDEFGHIJ)	(BCDEFGHIJ)
18184 SC	18184 SC NK	18184 SCGV	18184 SCGV NK	18.00x18.00x4.00	457x457x102	16	(BCDEFGHIJ)	(BCDEFGHIJ)
24124 SC	24124 SC NK	24124 SCGV	24124 SCGV NK	24.00x12.00x4.00	610x305x102	16	(BCDEFGHIJ)	(DEFGH)
24184 SC	24184 SC NK	24184 SCGV	24184 SCGV NK	24.00x18.00x4.00	610x457x102	16	(BCDEFGHIJ)	(BCDEFGHIJ)
24244 SC	24244 SC NK	24244 SCGV	24244 SCGV NK	24.00x24.00x4.00	610x610x102	14	(BCDEFGHIJ)	(BCDEFGHIJ)
30184 SC	30184 SC NK	30184 SCGV	30184 SCGV NK	30.00x18.00x4.00	762x457x102	16	(BCDEFGHIJ)	(BCDEFGHIJ)
30244 SC	30244 SC NK	30244 SCGV	30244 SCGV NK	30.00x24.00x4.00	762x610x102	14	(BCDEFGHIJ)	(BCDEFGHIJ)
36244 SC	36244 SC NK	36244 SCGV	36244 SCGV NK	36.00x24.00x4.00	914x762x102	14	(BCDEFGHIJ)	(BCDEFGHIJ)
-	30304 SC NK	-	30304 SCGV NK	30.00x30.00x4.00	762x762x102	12	-	-
-	36304 SC NK	-	36304 SCGV NK	36.00x30.00x4.00	914x762x102	12	-	-
-	36364 SC NK	-	36364 SCGV NK	36.00x36.00x4.00	914x914x102	12	-	-
-	48364 SC NK	-	48364 SCGV NK	48.00x36.00x4.00	1219x914x102	12	-	-
-	48484 SC NK	-	48484 SCGV NK	48.00x48.00x4.00	1219x1219x102	10	-	-



Conduit Sizes

Knockout Detail

Note: See table for applicable knockout pattern.

Notes: Dimensions are in inches. Millimeters shown are for reference only.
Data subject to change without notice.

Type 1 Screw Cover Enclosures - Painted & Galvanized

Data Sheet

Type 1 Enclosures



Application

- Used as wiring boxes, junction and pull boxes
- Protects against contact with enclosed equipment

Construction

- Enclosure and cover are fabricated from code gauge steel or galvanized steel, (see table)
- Enclosure body has mounting holes on the back
- Enclosures are available with or without knockouts on the sides, top and bottom ends
- Cover is secured to the body with plated screws
- Keyhole slots provided in the cover allow easy access to the inside without removing the screws
- #10-32 tapped hole provision for optional ground lug kit

Finish

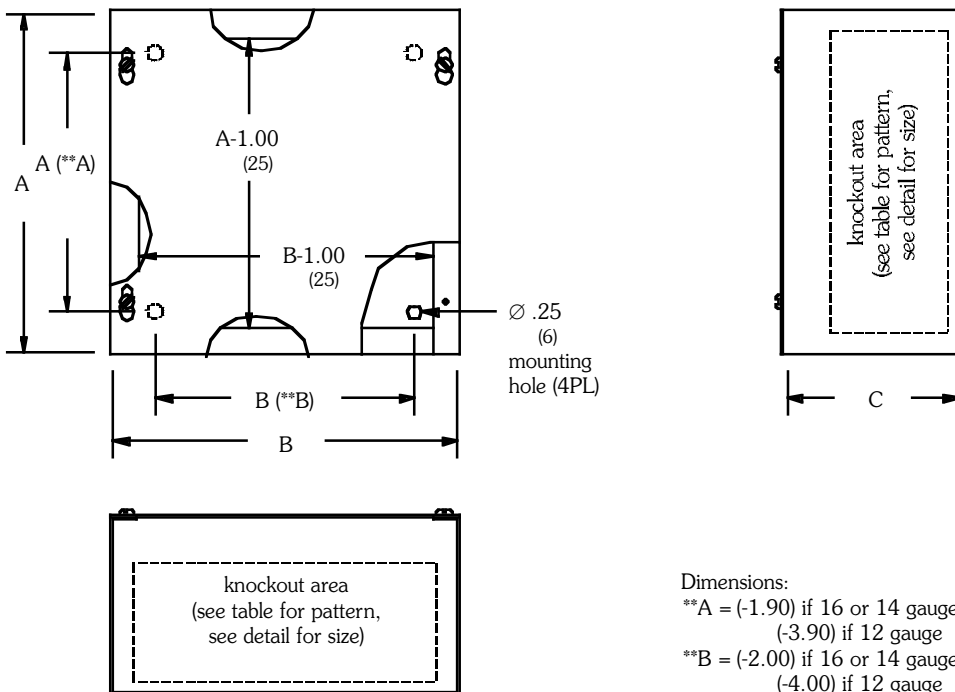
- Wash and phosphate undercoat or galvanized steel
- ANSI 61 gray acrylic electrocoat finish

Standards

- UL 50 listed, Type 1
- CSA C22.2 No. 40 certified, Type 1
- Conforms to NEMA standard for Type 1
- IEC 60529, IP30

Accessories

- Ground lug kit
- Touch-up paint
- See Accessories section



Dimensions:
****A** = (-1.90) if 16 or 14 gauge
 (-3.90) if 12 gauge
****B** = (-2.00) if 16 or 14 gauge
 (-4.00) if 12 gauge