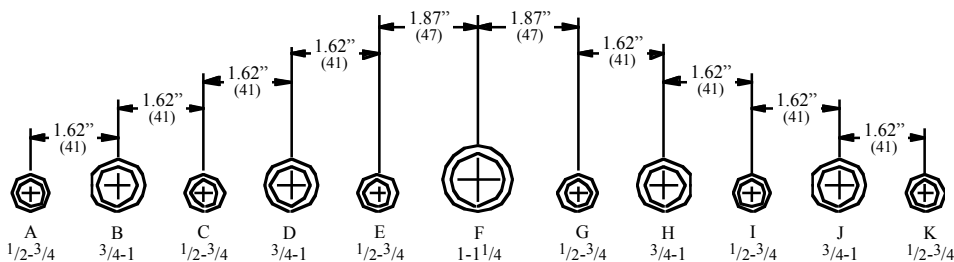


Type 1 Screw Cover Enclosures - Painted & Galvanized

Catalog Number

Type 1 Enclosures

Enclosure Catalog Number				Enclosure Size		Gauge	Knockout Pattern	Knockout Pattern
Painted		Galvanized		Height x Width x Depth				
KO	No KO	KO	No KO	in.	mm			
666 SC	666 SC NK	666 SCGV	666 SCGV NK	6.00x6.00x6.00	152x152x152	16	CDE	CDE
866 SC	866 SC NK	866 SCGV	866 SCGV NK	8.00x6.00x6.00	203x152x152	16	GHIJ	CDE
886 SC	886 SC NK	886 SCGV	886 SCGV NK	8.00x8.00x6.00	203x203x152	16	GHIJ	GHIJ
1086 SC	1086 SC NK	1086 SCGV	1086 SCGV NK	10.00x8.00x6.00	254x203x152	16	DEFGH	GHIJ
10106 SC	10106 SC NK	10106 SCGV	10106 SCGV NK	10.00x10.00x6.00	254x254x152	16	DEFGH	DEFGH
1266 SC	1266 SC NK	1266 SCGV	1266 SCGV NK	12.00x6.00x6.00	305x152x152	16	DEFGH	CDE
1286 SC	1286 SC NK	1286 SCGV	1286 SCGV NK	12.00x8.00x6.00	305x203x152	16	DEFGH	GHIJ
12106 SC	12106 SC NK	12106 SCGV	12106 SCGV NK	12.00x10.00x6.00	305x254x152	16	DEFGH	DEFGH
12126 SC	12126 SC NK	12126 SCGV	12126 SCGV NK	12.00x12.00x6.00	305x305x152	16	DEFGH	DEFGH
15126 SC	15126 SC NK	15126 SCGV	15126 SCGV NK	15.00x12.00x6.00	381x305x152	16	CDEFGHI	DEFGH
15156 SC	15156 SC NK	15156 SCGV	15156 SCGV NK	15.00x15.00x6.00	381x381x152	16	CDEFGHI	CDEFGHI
16126 SC	16126 SC NK	16126 SCGV	16126 SCGV NK	16.00x12.00x6.00	406x305x152	16	CDEFGHI	DEFGH
16166 SC	16166 SC NK	16166 SCGV	16166 SCGV NK	16.00x16.00x6.00	406x406x152	16	CDEFGHI	BCDEFGHIJ
18126 SC	18126 SC NK	18126 SCGV	18126 SCGV NK	18.00x12.00x6.00	457x305x152	16	BCDEFGHIJ	DEFGH
18156 SC	18156 SC NK	18156 SCGV	18156 SCGV NK	18.00x15.00x6.00	457x381x152	16	BCDEFGHIJ	CDEFGHI
18186 SC	18186 SC NK	18186 SCGV	18186 SCGV NK	18.00x18.00x6.00	457x457x152	16	BCDEFGHIJ	BCDEFGHIJ
24126 SC	24126 SC NK	24126 SCGV	24126 SCGV NK	24.00x12.00x6.00	610x305x152	16	BCDEFGHIJ	DEFGH
24186 SC	24186 SC NK	24186 SCGV	24186 SCGV NK	24.00x18.00x6.00	610x457x152	16	BCDEFGHIJ	BCDEFGHIJ
24246 SC	24246 SC NK	24246 SCGV	24246 SCGV NK	24.00x24.00x6.00	610x610x152	14	BCDEFGHIJ	BCDEFGHIJ
30186 SC	30186 SC NK	30186 SCGV	30186 SCGV NK	30.00x18.00x6.00	762x457x152	16	BCDEFGHIJ	BCDEFGHIJ
30246 SC	30246 SC NK	30246 SCGV	30246 SCGV NK	30.00x24.00x6.00	762x610x152	14	BCDEFGHIJ	BCDEFGHIJ
-	30306 SC NK	-	30306 SCGV NK	30.00x30.00x6.00	762x762x152	12	-	-
36246 SC	36246 SC NK	36246 SCGV	36246 SCGV NK	36.00x24.00x6.00	914x310x152	14	BCDEFGHIJ	BCDEFGHIJ
-	36306 SC NK	-	36306 SCGV NK	36.00x30.00x6.00	914x762x152	12	-	-
-	36366 SC NK	-	36366 SCGV NK	36.00x36.00x6.00	914x914x152	12	-	-
-	48366 SC NK	-	48366 SCGV NK	48.00x36.00x6.00	1219x914x152	12	-	-
-	48486 SC NK	-	48486 SCGV NK	48.00x48.00x6.00	1219x1219x152	12	-	-
888 SC	888 SC NK	888 SCGV	888 SCGV NK	8.00x8.00x8.00	203x203x203	16	GHIJ	GHIJ
12128 SC	12128 SC NK	12128 SCGV	12128 SCGV NK	12.00x12.00x8.00	305x305x203	16	DEFGH	DEFGH
16128 SC	16128 SC NK	16128 SCGV	16128 SCGV NK	16.00x12.00x8.00	406x305x203	16	CDEFGHI	DEFGH
18128 SC	18128 SC NK	18128 SCGV	18128 SCGV NK	18.00x12.00x8.00	457x305x203	16	BCDEFGHIJ	DEFGH
18188 SC	18188 SC NK	18188 SCGV	18188 SCGV NK	18.00x18.00x8.00	457x457x203	16	BCDEFGHIJ	BCDEFGHIJ
24128 SC	24128 SC NK	24128 SCGV	24128 SCGV NK	24.00x12.00x8.00	610x305x203	16	BCDEFGHIJ	DEFGH
24188 SC	24188 SC NK	24188 SCGV	24188 SCGV NK	24.00x18.00x8.00	610x457x203	16	BCDEFGHIJ	BCDEFGHIJ
24248 SC	24248 SC NK	24248 SCGV	24248 SCGV NK	24.00x24.00x8.00	610x610x203	14	BCDEFGHIJ	BCDEFGHIJ
30248 SC	30248 SC NK	30248 SCGV	30248 SCGV NK	30.00x24.00x8.00	762x610x203	14	BCDEFGHIJ	BCDEFGHIJ
-	30308 SC NK	-	30308 SCGV NK	30.00x30.00x8.00	762x762x203	12	-	-
36248 SC	36248 SC NK	36248 SCGV	36248 SCGV NK	36.00x24.00x8.00	914x610x203	14	BCDEFGHIJ	BCDEFGHIJ



Conduit Sizes

Knockout Detail

Note: See table for applicable knockout pattern.

Notes: Dimensions are in inches. Millimeters shown are for reference only. Data subject to change without notice.

Type 1 Screw Cover Enclosures - Painted & Galvanized

Data Sheet

Type 1 Enclosures



Application

- Used as wiring boxes, junction and pull boxes
- Protects against contact with enclosed equipment

Construction

- Enclosure and cover are fabricated from code gauge steel or galvanized steel, (see table)
- Enclosure body has mounting holes on the back
- Enclosures are available with or without knockouts on the sides, top and bottom ends
- Cover is secured to the body with plated screws
- Keyhole slots provided in the cover allow easy access to the inside without removing the screws
- #10-32 tapped hole provision for optional ground lug kit

Finish

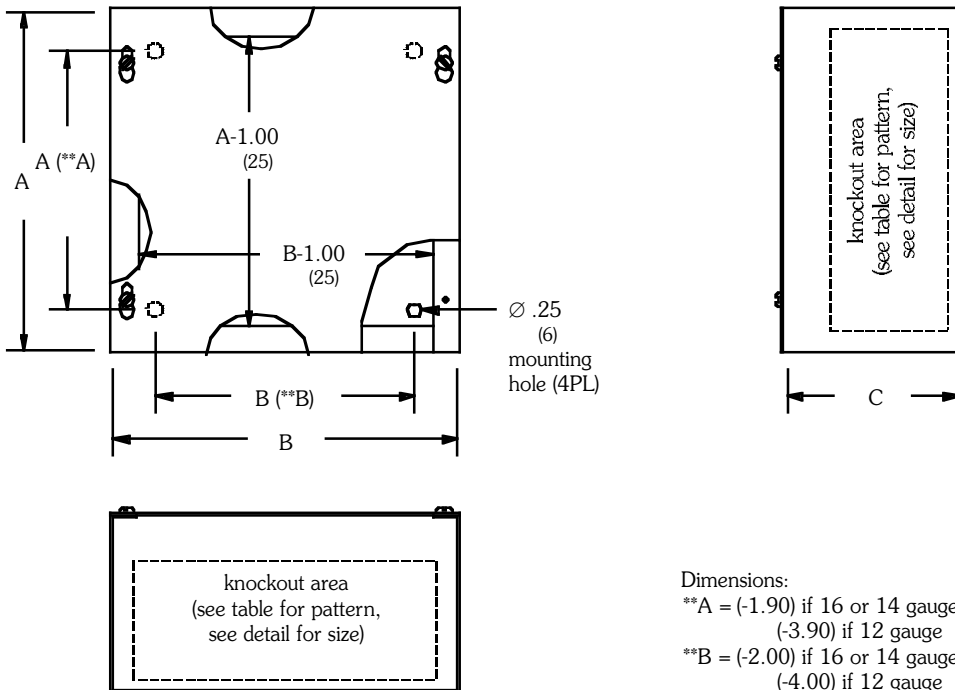
- Wash and phosphate undercoat or galvanized steel
- ANSI 61 gray acrylic electrocoat finish

Standards

- UL 50 listed, Type 1
- CSA C22.2 No. 40 certified, Type 1
- Conforms to NEMA standard for Type 1
- IEC 60529, IP30

Accessories

- Ground lug kit
- Touch-up paint
- See Accessories section



Dimensions:
****A** = (-1.90) if 16 or 14 gauge
 (-3.90) if 12 gauge
****B** = (-2.00) if 16 or 14 gauge
 (-4.00) if 12 gauge