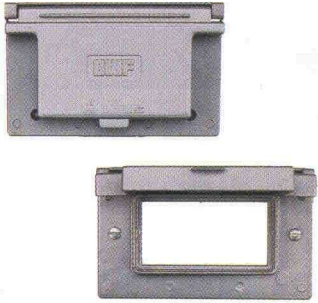


One Gang Weatherproof Covers - Die Cast Metal

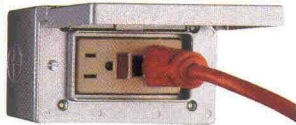
ONE GANG COVER FOR HORIZONTAL GFCI DEVICES self closing cover, gasket & screws included



PACKAGE TYPE	BWF No.	Unit UPC 0-87115-	Unit Cubic	Description Cover	Color	Case QTY	Case WT
SHOW PAK	FG-1DCV	25006-3	N/A	Horiz GFCI	Grey	24	12
	FG-1DCAV	25505-1	N/A	Horiz GFCI	Bronze	24	12
	FG-1DCWV	25705-5	N/A	Horiz GFCI	White	24	12
BLISTER CARDED	511H	05114-1	43	Horiz GFCI	Grey	6	3
	511HAB	25508-2	43	Horiz GFCI	Bronze	6	3
	511HW	50065-6	43	Horiz GFCI	White	6	3

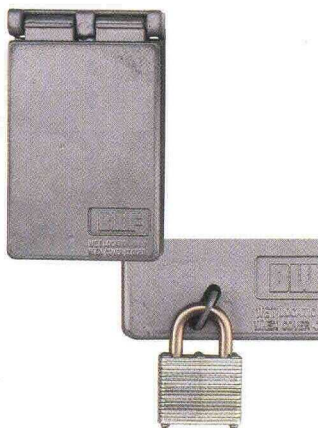
HORIZONTAL GFCI KIT INCLUDES:

rectangular 3-hole box, self closing GFCI cover, GFCI receptacle, hardware & instructions

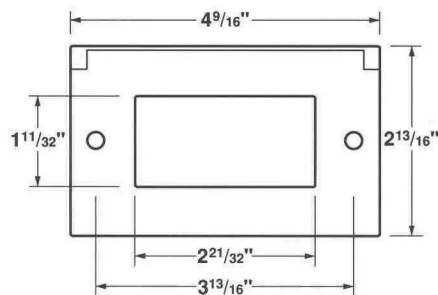


PACKAGE TYPE	BWF No.	Unit UPC 0-87115-	Unit Cubic	Description Cover	Color	Case QTY	Case WT
CLAMSHELL KIT	GFBK-C	41201-0	149	Horiz GFCI Kit	Grey	10	18
	GFBKAB-C	41202-7	149	Horiz GFCI Kit	Bronze	10	18
	GFBKW-C	41203-4	149	Horiz GFCI Kit	White	10	18
	GFBKB-C	41204-1	149	Horiz GFCI Kit	Black	10	18
DISPLAY BOX KIT	GFBK	41200-3	130	Horiz GFCI Kit	Grey	10	17
	GFBKAB	41205-8	130	Horiz GFCI Kit	Bronze	10	17
	GFBKW	50220-9	130	Horiz GFCI Kit	White	10	17
	GFBKB	50221-6	130	Horiz GFCI Kit	Black	10	17

ONE GANG COVER FOR VERTICAL GFCI DEVICES self closing cover, gasket & screws included



PACKAGE TYPE	BWF No.	Unit UPC 0-87115-	Unit Cubic	Description Cover	Color	Case QTY	Case WT
SHOW PAK	FGV-1DCV	25012-4	N/A	Vertical GFCI	Grey	24	12
	FGV-1DCAV	25510-5	N/A	Vertical GFCI	Bronze	24	12
	FGV-1DCWV	25710-6	N/A	Vertical GFCI	White	24	12
	FGVL-1DCV	27237-9	N/A	Locking Cover	Grey	24	12
BLISTER CARDED	511V	05115-8	43	Vertical GFCI	Grey	6	3
	511VAB	25513-6	43	Vertical GFCI	Bronze	6	3
	511VW	50070-0	43	Vertical GFCI	White	6	3



FG-1DCV, 511H

GFCI: Ground Fault Circuit Interrupter or "Shock Protection" outlet stops the flow of electricity at the outlet. Required by the National Electrical Code (NEC) for wet or damp locations, inside or out.



One Gang Weatherproof Blank Covers - Die Cast Metal

BWF PRODUCT BENEFITS & FEATURES

- Rugged, seamless construction that prevents moisture entry.
- State of the art powder coat finish for maximum durability.
- Includes installation hardware, gasket and instructions.

COMPLIANCES

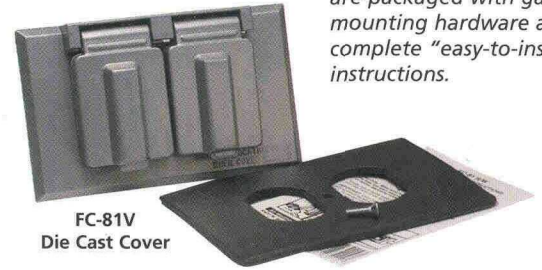
- UL Listed and CSA Certified



APPLICATIONS

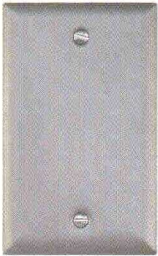
- For use with BWF one and two gang weatherproof boxes.
- Blank covers are for use whenever weatherproof protection is required for a one or two gang box.
- Raised covers provide a means of mounting detection devices, light sensitive photo-cells and accessories.
- Covers with self closing lids provide weatherproof protection when receptacle is not in use.
- Toggle switch covers provide weatherproof protection when an "on-off" type switch is required.

BWF Weatherproof covers are packaged with gasket, mounting hardware and complete "easy-to-install" instructions.



ALUMINUM ONE GANG BLANK COVER

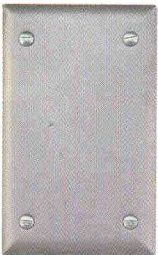
4⁹/₁₆" x 2¹³/₁₆", stamped aluminum cover, gasket & screws included



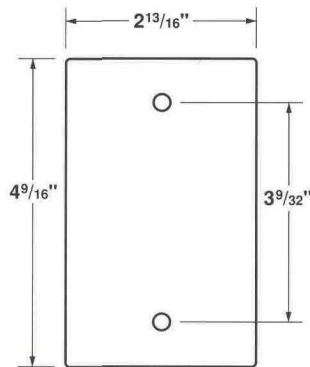
PACKAGE TYPE	BWF No.	Unit UPC 0-87115-	Unit Cubic	Description Outlets	Color	Case QTY	Case WT
SHOW PAK	BC-1V	29005-2	N/A	Blank	Grey	42	4
	BC-1AV	29505-7	N/A	Blank	Bronze	42	4
	BC-1WV	29705-1	N/A	Blank	White	42	4
BLISTER CARDED	711	00711-7	17.2	Blank	Grey	12	2
	711AB	29509-5	17.2	Blank	Bronze	12	2
	711W	50105-9	17.2	Blank	White	12	2

ALUMINUM ONE GANG BLANK COVER, "X" TYPE

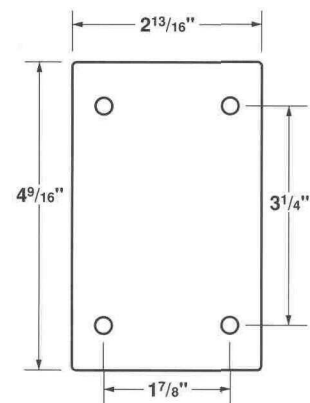
4⁹/₁₆" x 2¹³/₁₆", stamped aluminum cover, gasket & screws included



PACKAGE TYPE	BWF No.	Unit UPC 0-87115-	Unit Cubic	Description Outlets	Color	Case QTY	Case WT
SHOW PAK	BC-1XV	27231-7	N/A	Blank X	Grey	42	5
	BC-1XAV	27232-4	N/A	Blank X	Bronze	42	5
	BC-1XWV	27233-1	N/A	Blank X	White	42	5



BC-1V, 711



BC-1XV

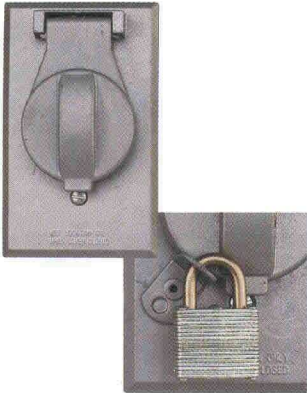
One Gang Weatherproof Covers - Die Cast Metal

ONE GANG VERTICAL COVER FOR DUPLEX RECEPTACLES, SWITCHES OR COMBINATION DEVICES self closing cover, gasket & screws included



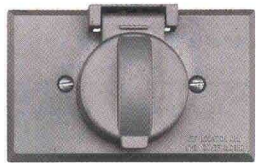
PACKAGE TYPE	BWF No.	Unit UPC 0-87115-	Unit Cubic	Description Cover	Color	Case QTY	Case WT
SHOW PAK	FC-61V	22095-0	N/A	Vertical	Grey	24	8
	FC-61AV	52884-1	N/A	Vertical	Bronze	24	8
	FC-61WV	52883-4	N/A	Vertical	White	24	8
	FCL-61V (Locking)	27252-2	N/A	Vertical	Grey	24	8

ONE GANG VERTICAL COVER FOR A SINGLE RECEPTACLE OR SWITCH self closing cover, gasket & screws included

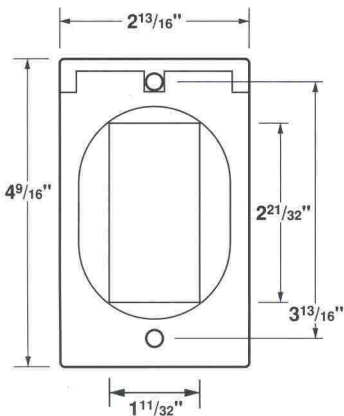


PACKAGE TYPE	BWF No.	Unit UPC 0-87115-	Unit Cubic	Description Cover	Color	Case QTY	Case WT
SHOW PAK	FC-71V	23007-2	N/A	Vertical	Grey	24	8
	FC-71AV	27240-9	N/A	Vertical	Bronze	24	8
	FC-71WV	27241-6	N/A	Vertical	White	24	8
	FCL-71V (Locking)	27255-3	N/A	Vertical	Grey	24	8
	SO-71V	27246-1	N/A	Vert Stay Open	Grey	24	8
	SO-71AV	27247-8	N/A	Vert Stay Open	Bronze	24	8
	SO-71WV	27248-5	N/A	Vert Stay Open	White	24	8
BLISTER CARDED	4171	04171-5	51.6	Vertical	Grey	6	2
	4171AB	23508-4	51.6	Vertical	Bronze	6	2
	4171W	50040-3	51.6	Vertical	White	6	2

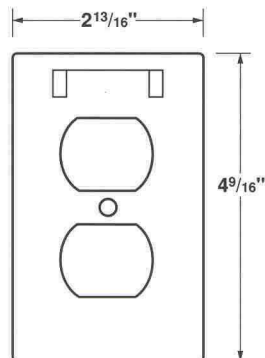
ONE GANG HORIZONTAL COVER FOR A SINGLE RECEPTACLE OR SWITCH self closing cover, gasket & screws included



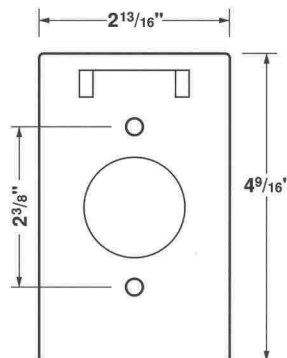
PACKAGE TYPE	BWF No.	Unit UPC 0-87115-	Unit Cubic	Description Cover	Color	Case QTY	Case WT
SHOW PAK	FC-71HV	27242-3	N/A	Horizontal	Grey	24	8
	FC-71HAV	27243-0	N/A	Horizontal	Bronze	24	8
	FC-71HWV	27244-7	N/A	Horizontal	White	24	8



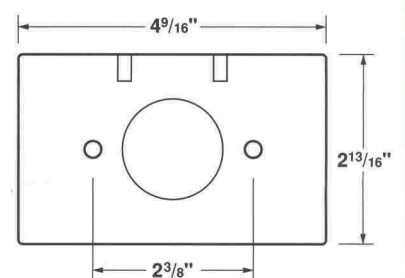
FGV-1DCV, 511V



FC-61V



FC-71V, SO-71V, 4171



FC-71HV