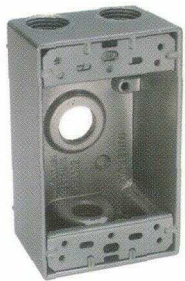


# One Gang Weatherproof Outlet Boxes - Die Cast Metal



## ONE GANG OUTLET BOX WITH 4 THREADED OUTLETS

4<sup>9</sup>/<sub>16</sub>" x 2<sup>13</sup>/<sub>16</sub>" x 2", closure plugs, ground screw and mounting lugs included

PACKAGE TYPE	BWF No.	Unit UPC 0-87115-	Unit Cubic	Description		Case QTY	Case WT
				Outlets	Color		
SHOW PAK	B5-2V	18041-4	18.3"	4 - 1/2"	Grey	20	12.1
	B5-2AV	27111-2	18.3"	4 - 1/2"	Bronze	20	12.1
	B5-2WV	18044-5	18.3"	4 - 1/2"	White	20	12.1
	B75-2V	18051-3	18.3"	4 - 3/4"	Grey	20	12.1
	B75-2AV	27113-6	18.3"	4 - 3/4"	Bronze	20	12.1
	B75-2WV	27114-3	18.3"	4 - 3/4"	White	20	12.1
BLISTER CARDED	1504	01504-4	97.3"	4 - 1/2"	Grey	6	4.0
	1504AB	18543-3	97.3"	4 - 1/2"	Bronze	6	4.0
	1504W	50010-6	97.3"	4 - 1/2"	White	6	4.0
	1754	01754-3	97.3"	4 - 3/4"	Grey	6	4.0
	1754AB	18553-2	97.3"	4 - 3/4"	Bronze	6	4.0
	1754W	50015-1	97.3"	4 - 3/4"	White	6	4.0



## ONE GANG OUTLET BOX WITH 5 THREADED OUTLETS

4<sup>9</sup>/<sub>16</sub>" x 2<sup>13</sup>/<sub>16</sub>" x 2", closure plugs, ground screw and mounting lugs included

PACKAGE TYPE	BWF No.	Unit UPC 0-87115-	Unit Cubic	Description		Case QTY	Case WT
				Outlets	Color		
SHOW PAK	B5-22V	18061-2	18.3"	5 - 1/2"	Grey	20	12
	B5-22AV	27115-0	18.3"	5 - 1/2"	Bronze	20	12
	B5-22WV	27116-7	18.3"	5 - 1/2"	White	20	12
	B75-22V	18071-1	18.3"	5 - 3/4"	Grey	20	11.4
	B75-22AV	27117-4	18.3"	5 - 3/4"	Bronze	20	11.4
	B75-22WV	27118-1	18.3"	5 - 3/4"	White	20	11.4
	B5-22XV	18081-0	18.3"	5 - 1/2" X	Grey	20	12
	B75-22XV	27121-1	18.3"	5 - 3/4" X	Grey	20	12
	B100-22XV	27124-2	18.3"	5 - 1" X	Grey	20	12



"X" TYPE



## DEEP, ONE GANG OUTLET BOX WITH 5 THREADED OUTLETS

4<sup>9</sup>/<sub>16</sub>" x 2<sup>13</sup>/<sub>16</sub>" x 2<sup>5</sup>/<sub>8</sub>", closure plugs, ground screw and mounting lugs included

PACKAGE TYPE	BWF No.	Unit UPC 0-87115-	Unit Cubic	Description		Case QTY	Case WT
				Outlets	Color		
SHOW PAK	DB-5-22XV	27127-3	23.8	5 - 1/2" X	Grey	12	10
	DB-75-22XV	27130-3	23.8	5 - 3/4" X	Grey	12	10
	DB-100-22XV	27133-4	23.8	5 - 1" X	Grey	12	10

"X" TYPE



# One Gang Weatherproof Outlet Boxes - Die Cast Metal

## BWF PRODUCT BENEFITS & FEATURES

- Rugged, seamless, die-cast construction that prevents moisture entry.
- Reinforced connector outlets provide a secure mechanical installation.
- State of the art powder coat finish for maximum durability.
- Closure plugs, ground screw and mounting lugs included.
- Complete installation instructions included with each product.

## COMPLIANCES

- UL Listed and CSA Certified



## APPLICATIONS

- For use in branch circuit wiring in wet, damp or dry locations.
- May be used as a weatherproof junction box, or as a housing for receptacles, switches and GFCI's.

### ONE GANG OUTLET BOX WITH 3 THREADED OUTLETS

4<sup>9</sup>/<sub>16</sub>" x 2<sup>13</sup>/<sub>16</sub>" x 2", closure plugs, ground screw and mounting lugs included



PACKAGE TYPE	BWF No.	Unit UPC 0-87115-	Unit Cubic	Description Outlets	Color	Case QTY	Case WT
SHOW PAK	B-5V	18021-6	18.3"	3 - 1/2"	Grey	20	11.6
	B-5AV	18520-4	18.3"	3 - 1/2"	Bronze	20	11.6
	B-5WV	18720-8	18.3"	3 - 1/2"	White	20	11.6
	B-75V	18031-5	18.3"	3 - 3/4"	Grey	20	11.4
	B-75AV	52886-5	18.3"	3 - 3/4"	Bronze	20	11.4
	B-75WV	52885-8	18.3"	3 - 3/4"	White	20	11.4
BLISTER CARDED	B-100V	27100-6	18.3"	3 - 1"	Grey	20	11.2
	1503	01503-7	97.3"	3 - 1/2"	Grey	6	3.9
	1503AB	18523-5	97.3"	3 - 1/2"	Bronze	6	3.9
	1503W	50000-7	97.3"	3 - 1/2"	White	6	3.9
	1753	01753-6	97.3"	3 - 3/4"	Grey	6	3.9
	1753AB	18533-4	97.3"	3 - 3/4"	Bronze	6	3.9
	1753W	50005-2	97.3"	3 - 3/4"	White	6	3.9

### DEEP, ONE GANG OUTLET BOX WITH 3 THREADED OUTLETS

4<sup>9</sup>/<sub>16</sub>" x 2<sup>13</sup>/<sub>16</sub>" x 2<sup>5</sup>/<sub>8</sub>", closure plugs, ground screw and mounting lugs included

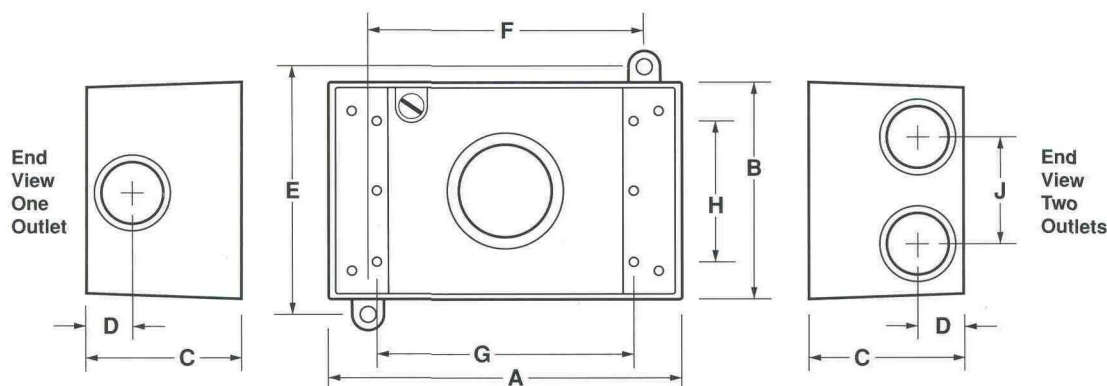


PACKAGE TYPE	BWF No.	Unit UPC 0-87115-	Unit Cubic	Description Outlets	Color	Case QTY	Case WT
SHOW PAK	DB-5V	38006-7	23.8	3 - 1/2"	Grey	12	10
	DB-5AV	27103-7	23.8	3 - 1/2"	Bronze	12	10
	DB-5WV	27104-4	23.8	3 - 1/2"	White	12	10
	DB-75V	27105-1	23.8	3 - 3/4"	Grey	12	10
	DB-100V	27108-2	23.8	3 - 1"	Grey	12	10

# One Gang Box & Extension Drawings

## Single Gang Boxes - Standard & Deep Dimensions and Cubic Inches

BWF No.	Hub Size	A	B	C	D	E	F	G	H	J	Cubic Inches
B-5V	1/2"	4 <sup>9</sup> / <sub>16</sub> "	2 <sup>13</sup> / <sub>16</sub> "	2"	5/8"	3 <sup>3</sup> / <sub>16</sub> "	3 <sup>1</sup> / <sub>2</sub> "	3 <sup>1</sup> / <sub>4</sub> "	1 <sup>7</sup> / <sub>8</sub> "	-	18.3"
B-75V	3/4"	4 <sup>9</sup> / <sub>16</sub> "	2 <sup>13</sup> / <sub>16</sub> "	2"	5/8"	3 <sup>3</sup> / <sub>16</sub> "	3 <sup>1</sup> / <sub>2</sub> "	3 <sup>1</sup> / <sub>4</sub> "	1 <sup>7</sup> / <sub>8</sub> "	-	18.3"
B-100V	1"	4 <sup>9</sup> / <sub>16</sub> "	2 <sup>13</sup> / <sub>16</sub> "	2"	5/8"	3 <sup>3</sup> / <sub>16</sub> "	3 <sup>1</sup> / <sub>2</sub> "	3 <sup>1</sup> / <sub>4</sub> "	1 <sup>7</sup> / <sub>8</sub> "	-	18.3"
DB-5V	1/2"	4 <sup>9</sup> / <sub>16</sub> "	2 <sup>13</sup> / <sub>16</sub> "	2 <sup>5</sup> / <sub>8</sub> "	3/4"	3 <sup>3</sup> / <sub>16</sub> "	3 <sup>1</sup> / <sub>2</sub> "	3 <sup>1</sup> / <sub>4</sub> "	1 <sup>7</sup> / <sub>8</sub> "	-	23.8"
DB-75V	3/4"	4 <sup>9</sup> / <sub>16</sub> "	2 <sup>13</sup> / <sub>16</sub> "	2 <sup>5</sup> / <sub>8</sub> "	3/4"	3 <sup>3</sup> / <sub>16</sub> "	3 <sup>1</sup> / <sub>2</sub> "	3 <sup>1</sup> / <sub>4</sub> "	1 <sup>7</sup> / <sub>8</sub> "	-	23.8"
DB-100V	1"	4 <sup>9</sup> / <sub>16</sub> "	2 <sup>13</sup> / <sub>16</sub> "	2 <sup>5</sup> / <sub>8</sub> "	3/4"	3 <sup>3</sup> / <sub>16</sub> "	3 <sup>1</sup> / <sub>2</sub> "	3 <sup>1</sup> / <sub>4</sub> "	1 <sup>7</sup> / <sub>8</sub> "	-	23.8"
B5-2V	1/2"	4 <sup>9</sup> / <sub>16</sub> "	2 <sup>13</sup> / <sub>16</sub> "	2"	5/8"	3 <sup>3</sup> / <sub>16</sub> "	3 <sup>1</sup> / <sub>2</sub> "	3 <sup>1</sup> / <sub>4</sub> "	1 <sup>7</sup> / <sub>8</sub> "	1 <sup>1</sup> / <sub>2</sub> "	18.3"
B75-2V	3/4"	4 <sup>9</sup> / <sub>16</sub> "	2 <sup>13</sup> / <sub>16</sub> "	2"	5/8"	3 <sup>3</sup> / <sub>16</sub> "	3 <sup>1</sup> / <sub>2</sub> "	3 <sup>1</sup> / <sub>4</sub> "	1 <sup>7</sup> / <sub>8</sub> "	1 <sup>1</sup> / <sub>2</sub> "	18.3"
B5-22V	1/2"	4 <sup>9</sup> / <sub>16</sub> "	2 <sup>13</sup> / <sub>16</sub> "	2"	5/8"	3 <sup>3</sup> / <sub>16</sub> "	3 <sup>1</sup> / <sub>2</sub> "	3 <sup>1</sup> / <sub>4</sub> "	1 <sup>7</sup> / <sub>8</sub> "	1 <sup>1</sup> / <sub>2</sub> "	18.3"
B75-22V	3/4"	4 <sup>9</sup> / <sub>16</sub> "	2 <sup>13</sup> / <sub>16</sub> "	2"	5/8"	3 <sup>3</sup> / <sub>16</sub> "	3 <sup>1</sup> / <sub>2</sub> "	3 <sup>1</sup> / <sub>4</sub> "	1 <sup>7</sup> / <sub>8</sub> "	1 <sup>1</sup> / <sub>2</sub> "	18.3"
B5-22XV	1/2"	4 <sup>9</sup> / <sub>16</sub> "	2 <sup>13</sup> / <sub>16</sub> "	2"	5/8"	3 <sup>3</sup> / <sub>16</sub> "	3 <sup>1</sup> / <sub>2</sub> "	3 <sup>1</sup> / <sub>4</sub> "	1 <sup>7</sup> / <sub>8</sub> "	-	18.3"
B75-22XV	3/4"	4 <sup>9</sup> / <sub>16</sub> "	2 <sup>13</sup> / <sub>16</sub> "	2"	5/8"	3 <sup>3</sup> / <sub>16</sub> "	3 <sup>1</sup> / <sub>2</sub> "	3 <sup>1</sup> / <sub>4</sub> "	1 <sup>7</sup> / <sub>8</sub> "	-	18.3"
B100-22XV	1"	4 <sup>9</sup> / <sub>16</sub> "	2 <sup>13</sup> / <sub>16</sub> "	2"	5/8"	3 <sup>3</sup> / <sub>16</sub> "	3 <sup>1</sup> / <sub>2</sub> "	3 <sup>1</sup> / <sub>4</sub> "	1 <sup>7</sup> / <sub>8</sub> "	-	18.3"
DB-5-22XV	1/2"	4 <sup>9</sup> / <sub>16</sub> "	2 <sup>13</sup> / <sub>16</sub> "	2 <sup>5</sup> / <sub>8</sub> "	3/4"	3 <sup>3</sup> / <sub>16</sub> "	3 <sup>1</sup> / <sub>2</sub> "	3 <sup>1</sup> / <sub>4</sub> "	1 <sup>7</sup> / <sub>8</sub> "	-	23.8"
DB-75-22XV	3/4"	4 <sup>9</sup> / <sub>16</sub> "	2 <sup>13</sup> / <sub>16</sub> "	2 <sup>5</sup> / <sub>8</sub> "	3/4"	3 <sup>3</sup> / <sub>16</sub> "	3 <sup>1</sup> / <sub>2</sub> "	3 <sup>1</sup> / <sub>4</sub> "	1 <sup>7</sup> / <sub>8</sub> "	-	23.8"
DB-100-22XV	1"	4 <sup>9</sup> / <sub>16</sub> "	2 <sup>13</sup> / <sub>16</sub> "	2 <sup>5</sup> / <sub>8</sub> "	3/4"	3 <sup>3</sup> / <sub>16</sub> "	3 <sup>1</sup> / <sub>2</sub> "	3 <sup>1</sup> / <sub>4</sub> "	1 <sup>7</sup> / <sub>8</sub> "	-	23.8"



Extensions and Extension Adapters are used to provide additional capacity needed for NEC box fill requirements. Adapters allow installer to add "take-offs" to new boxes and/or devices.

