

Residential and
Commercial
Grade

Tamper Resistant Receptacles

NEMA 5-15

**Single and Duplex Receptacles
2-Pole, 3-Wire Grounding
15A 125V/AC**



Product:

Application:

Cooper Wiring Devices' UL Listed safety shutter system for tamper resistant receptacles prevents insertion of foreign objects into the receptacle and provides significantly improved protection when compared to traditional receptacles with removable plastic safety caps. Applications include residential homes, extended stay hotels, assisted living facilities, retirement communities and apartment buildings.

**Design
Features &
Benefits:**

Receptacles:

- Provides compliance with 2008 NEC section 406.11 specification that states that all receptacles installed in dwelling units must be tamper resistant.
- Manufactured with the highest grade materials; durable impact-resistant thermoplastic face and back body is virtually unbreakable.
- "TR" designation makes it easy to identify at a glance.
- Terminal screws are backed out and ready to wire.
- Extra-long and extra-wide mounting straps.
- Patented built-in wire stripper for #14 and #12 wire to speed installation.
- Tri-combo screws accept slotted-, Phillips and Robertson-head tools for installation flexibility.
- Side-wire terminals accept up to #10 solid or stranded wire.
- Push-in terminals accept #14 solid wire (duplex devices only).
- Patented Screw-Catch™ feature on duplex devices speeds wallplate installation.

**Technical
Specifications**

TESTING AND CODE COMPLIANCE

cULus to UL498 & CSA C22.2. No. 42, NOM/ANSI

SPECIFICATIONS

Environmental:

Flammability:

For TR270, TR270-9, TR1107, TR1107-9, 9505TR, 9507TR:
V2 per UL94

For TR817, TR6250, TRVGF15, 9566TR: V0 per UL94

Operating Temperature:

For TR270, TR270-9, TR817, TR1107, TR1107-9, TR6250, 9505TR:
-20°C to 60°C

For TRVGF15, 9566TR: -35°C to 66°C

Electrical:

Dielectric Voltage: Withstands 2000V per UL 498

Current Interrupting: Yes, at full-rated current

Temperature Rise: Max. 30°C

Mechanical:

Terminal Accommodation: #14 - #10 AWG

Product Identification: Voltage ratings and TR logo permanently marked on device

MATERIALS

Body: Thermoplastic

Ground Strap:

For TR270, TR270-9, TR1107, TR1107-9, TR817, 9505TR, 9507TR: Zinc-plated steel

For TR6250: Gold-toned zinc

For TRVGF15, 9566TR: Nickel-plated steel

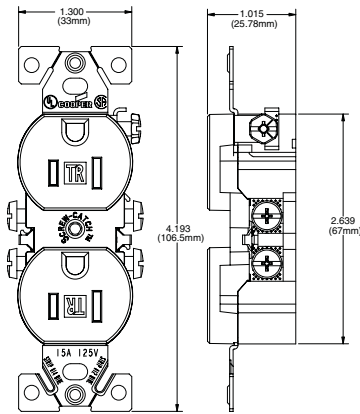
Contacts: Brass alloy

Terminal Screws: Brass/nickel-plated steel

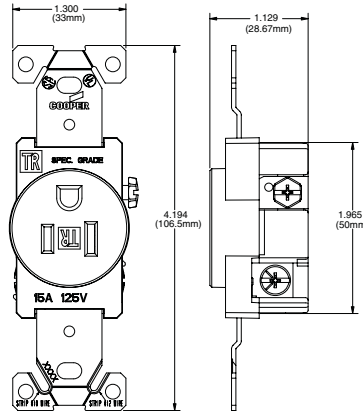
Terminal Clamps: Brass-plated steel

Dimensions:

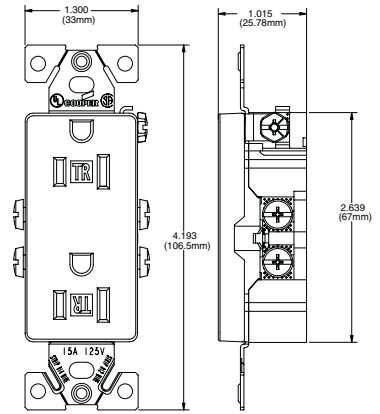
TR270 Receptacles



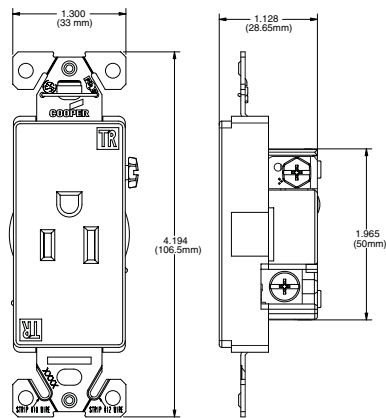
TR817 Receptacles



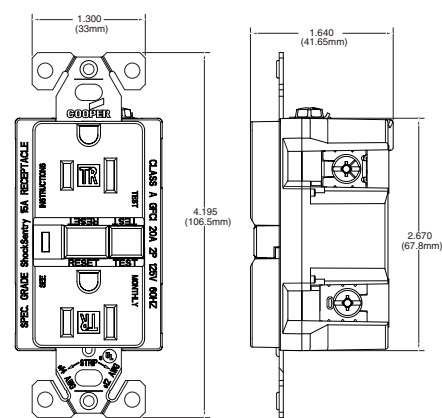
TR1107, 9505TR Receptacles



TR6250, 9507TR Receptacles



TRVGF15, 9566TR Receptacles



Ordering Information:

NEMA 5-15 Tamper Resistant Receptacles: 2-Pole, 3-Wire 15A 125V/AC

Catalog No.	Description	Color
<input type="checkbox"/> TR270	Standard Duplex Receptacle	B, LA, V, W
<input type="checkbox"/> TR270-9*	Standard Duplex Receptacle with Automatic Grounding	B, LA, V, W
<input type="checkbox"/> TR817	Commercial Single Receptacle	A, B, BK, GY, LA, V, W
<input type="checkbox"/> TR1107	Decorator Duplex Receptacle	A, B, BK, GY, LA, V, W
<input type="checkbox"/> TR1107-9*	Decorator Duplex Receptacle with Automatic Grounding	A, B, BK, GY, LA, V, W
<input type="checkbox"/> TR6250	Commercial Decorator Single Receptacle	A, B, BK, GY, LA, V, W
<input type="checkbox"/> TRVGF15	Specification Grade Duplex GFCI	A, B, BK, GY, LA, V, W
<input type="checkbox"/> 9505TR	ASPIRE™ Design System Duplex Receptacle	WS, DS, SG
<input type="checkbox"/> 9507TR	ASPIRE™ Design System Duplex Receptacle	WS, DS, SG
<input type="checkbox"/> 9566TR	ASPIRE™ Design System Duplex GFCI	WS, DS, SG

For ordering, include Cat. No. followed by the color code: A- Almond, B – Brown, BK – Black, GY – Gray, LA – Light Almond, V – Ivory, W – White, WS – White Satin, DS – Desert Sand, SG – Silver Granite

**Cooper Wiring Devices
United States**
203 Cooper Circle
Peachtree City, GA 30269
P: 866-853-4293 F: 800-329-3055
www.cooperwiringdevices.com

Canada
5925 McLaughlin Road
Mississauga, Ontario, L5R 1B8
P: 800-267-1042 F: 800-761-5748

Project Name:	
Project Number:	Date:
Prepared By:	