

Industrial Spec Grade Turnlok® Locking Devices 20 Amp NEMA L520

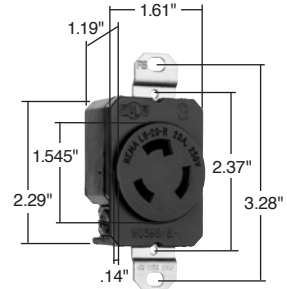
2 Pole, 3 Wire 20A, 125V

Pass & Seymour

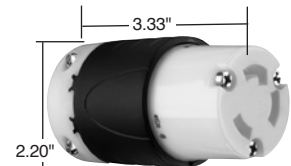


Turnlok® Locking Devices

Catalog Number	Rating A. V.	Description/Color	Cord Diameter	NEMA Config. No.	3rd Party Compliance		
					UL UL498	FSUL WC596	CSA
Receptacles							
L520R	20 125	Single Receptacle		L5-20R	•	•	•
IGL520R	20 125	Single Receptacle, Orange, Isolated Ground		L5-20R	•	•	•
CRL520R	20 125	Single Receptacle, Yellow, Corrosion-Resistant		L5-20R	•	•	•
Connectors IP20 Suitability							
L520C	20 125	Black Back, White Front Body	.385"-1.150"	L5-20R	•	•	•
L520CBK	20 125	Black Back, Black Front Body	.385"-1.150"	L5-20R	•	•	•
CRL520C	20 125	Yellow Back, White Front Body, Corrosion-Resistant	.385"-1.150"	L5-20R	•	•	•
Plugs IP20 Suitability							
L520P	20 125	Black Back, White Front Body	.385"-1.150"	L5-20P	•	•	•
L520PBK	20 125	Black Back, Black Front Body	.385"-1.150"	L5-20P	•	•	•
CRL520P	20 125	Yellow Back, White Front Body, Corrosion-Resistant	.385"-1.150"	L5-20P	•	•	•
Flanged Inlets & Outlets							
L520FI	20 125	Gray Inlet		L5-20P	•	•	•
L520FO	20 125	Gray Outlet		L5-20R	•	•	•

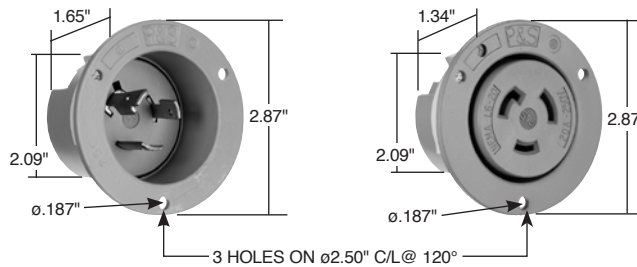
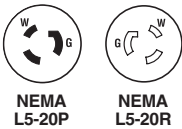


20A Receptacle

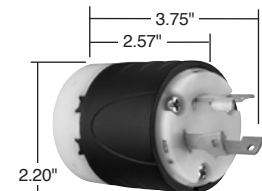


20A Connector

Reference Pages I-37 and I-38 for Accessories.

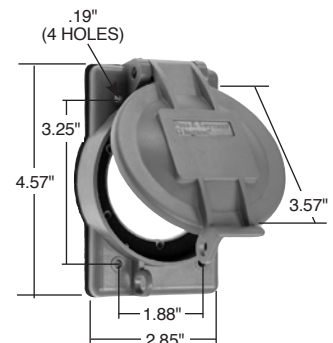


20A Flanged Inlet & Outlet



20A Plug

Catalog Number	Description	Color
Weatherproof Cover		
WPG2	Cover for 20 and 30A Turnlok Flanged Inlets and Outlets	Gray
Stainless Steel Wall Plate		
SS720	Wall Plate for Locking Receptacles	302 S/S



WPG2

All devices listed on this page conform to NEMA WD-1 and WD-6.

20 Amp NEMA L520